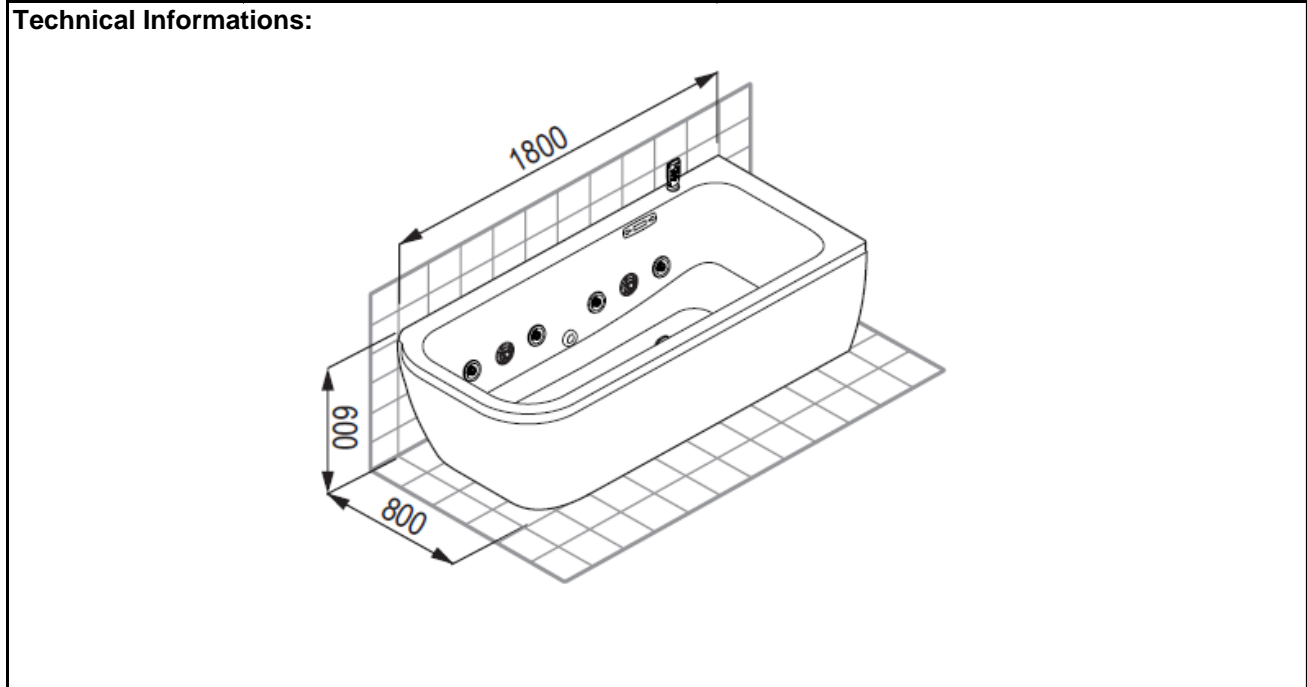


SPECIFICATION SHEET - sanitary wares

BRAND:	teuco	Product Photo: 
ORIGIN:	Italy	
SERIES:	NAUHA	
PRODUCT DESCRIPTION:	NAUHA corner tub with front panel with Hydroline Hydrosilence acrylic material, 8 whirlpool jets control panel and remote control massage intensity control pulsator (digital) automatic sanitizing Hydro Clean System Cromoexperience function	
MODEL No.	583 FM 2	
FINISH/COLOUR:		
DIMENSIONS:	1800mm x 800mm x 600mm	
OPTIONAL MATCHING PARTS:		



REMINDER:	Pipe flushing must be done before faucets are installed. Failure to do so voids the warranty.
	Do not use cleaners containing abrasive cleansers, ammonia, bleach, acids, waxes, alcohol, solvents or other products not recommended for chrome.
	All information is for reference only, installation shall always be based on the actual product delivered.